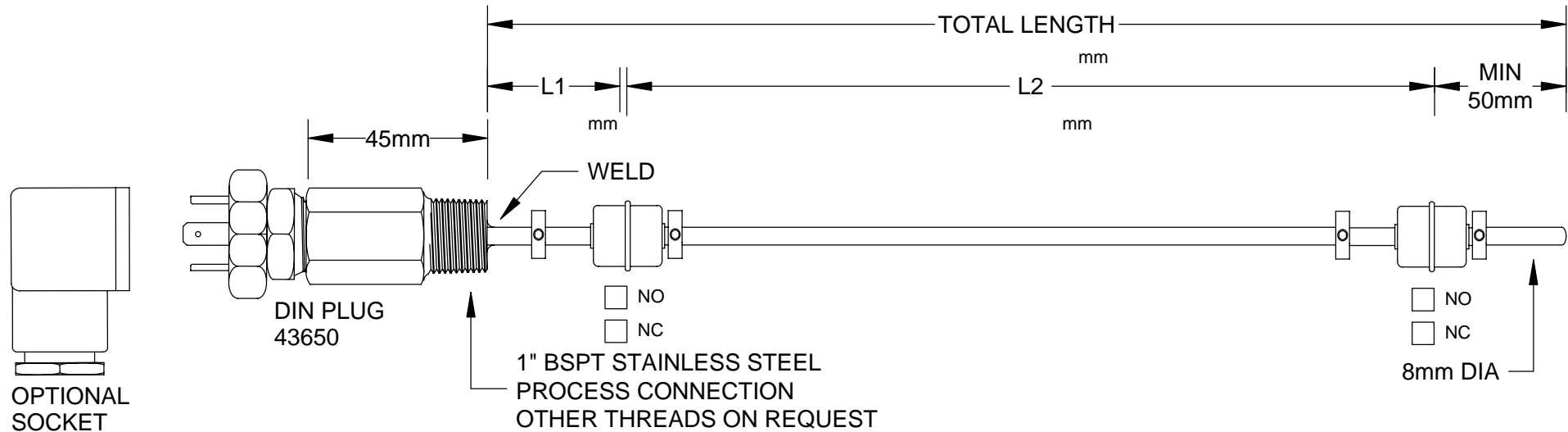
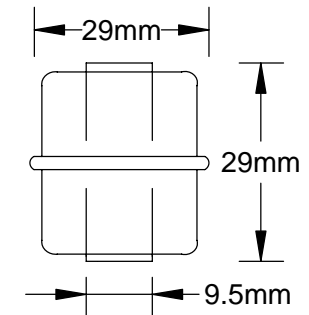


NOTE : MINIMUM DISTANCE BETWEEN FLOATS IS 50mm



STANDARD - NO or NC CONTACT RATED AT 32V AC/DC @ 500mA RESISTIVE LOAD

FLOAT DIMENSIONS



PROCESS CAPABILITIES

- STAINLESS STEEL CONSTRUCTION
- UP TO 2 FLOATS PER ASSEMBLY MAXIMUM LENGTH 1800mm
- SPECIAL THREADS AND LENGTHS AVAILABLE
- SPECIFIC GRAVITY 0.7
- TEMPERATURE RATING 120°C MAXIMUM
- PRESSURE RATING :10 kg/cm² MAXIMUM
- SCREW IN MULTI -LEVEL ASSEMBLY
- 29mm DIAMETER 316 STAINLESS STEEL FLOAT

TEMPERATURE CONTROLS PTY LTD

QUALITY ENDORSED COMPANY
Certificate No:QEC 14412
AS/NZS 9001:2008

CONDITIONS

THIS DRAWING IS OUR EXCLUSIVE PROPERTY AND MUST NOT BE COPIED OR HANDED TO ANY OTHER PARTIES WITH OUT WRITTEN PERMISSION. IT SHALL BE RETURNED UPON REQUEST

SYDNEY: 7 YAMMA ST SEFTON NSW 2162
PHONE: (02) 9721 8644 FAX: (02) 9738 9339
MELBOURNE: 8/280 WHITEHALL ST YARRAVILLE VIC 3013
PHONE: (03) 9687 0000 FAX: (03) 9687 1900
BRISBANE: 28A/125 KERRY RD ARCHERFIELD QLD 4108
PHONE: (07) 3373 8424 FAX: (07) 3373 8067
EMAIL: sales@temperature.com.au

TITLE

SIZE : A4	DATE : 27.08.15	DWG NO : SD 6933
SCALE : NTS	DRAWING BY R.B	REV : 00